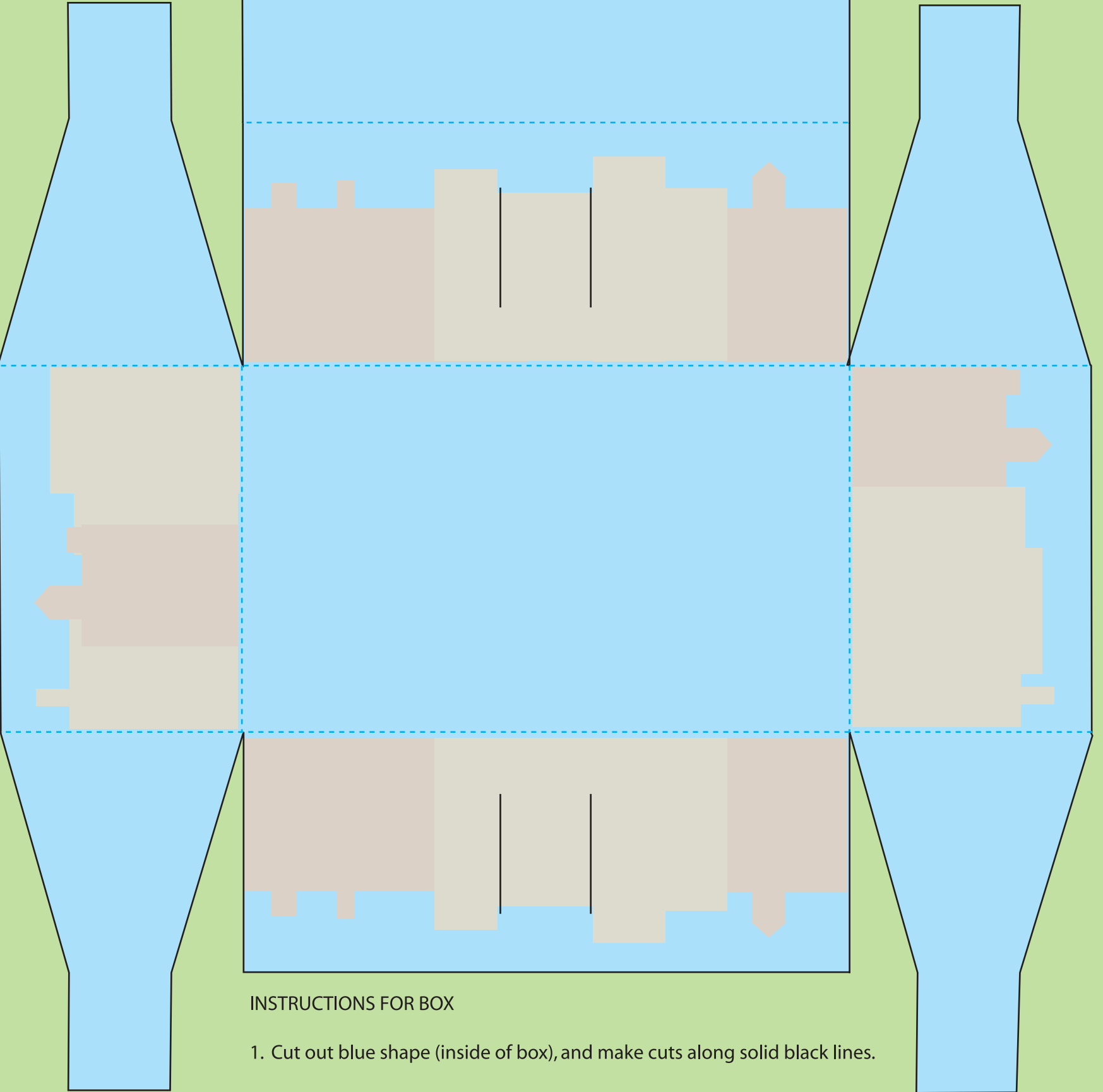
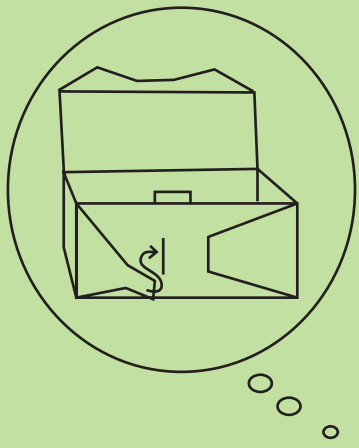


Francis Cape + Liza Phillips
No. 7

Requires: 2 double-sided sheets

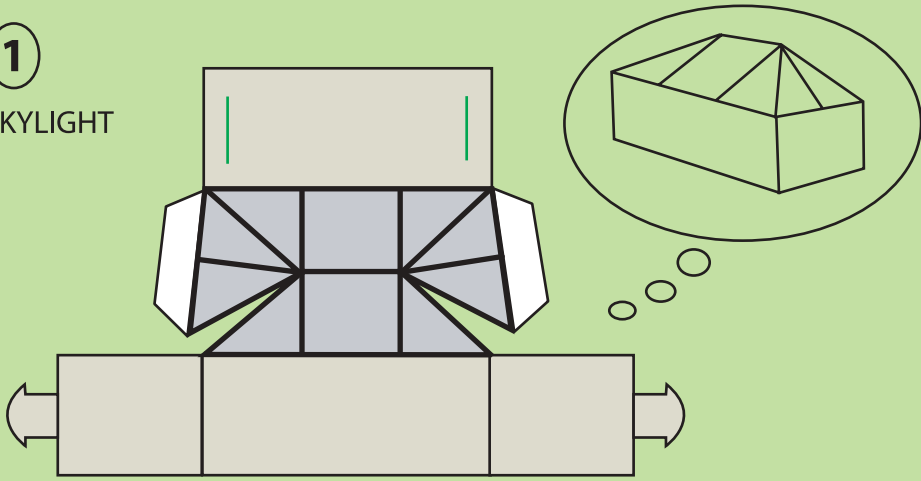
LIZA PHILLIPS



INSTRUCTIONS FOR BOX

1. Cut out blue shape (inside of box), and make cuts along solid black lines.
2. Fold along dotted blue lines, and assemble as shown, with tapered flaps wrapping around the outside of box and tucking into slots.

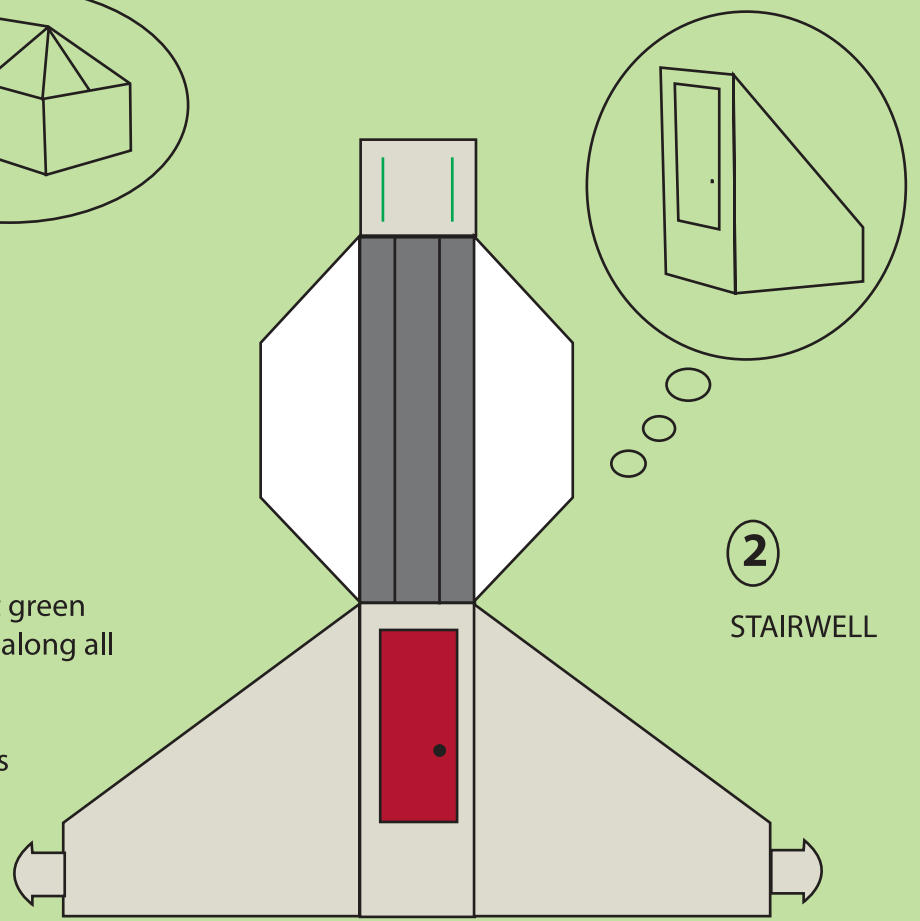
1
SKYLIGHT



INSTRUCTIONS FOR ASSEMBLING SCULPTURE

1. Cut out shapes (1-3) from green background. Cut out green rectangles (for skylight and stairwell), and make cuts along all green lines.
2. Fold parapet walls as shown. (note that white tab falls below level of roof.)
3. Assemble skylight and stairway structures as shown, inserting tabs into slots where indicated.
4. Insert skylight and stairway from the bottom upward, so that the flashing holds the structures in place.
5. Assemble box on page 2 and insert rooftop into box.

2
STAIRWELL



3
ROOFTOP

